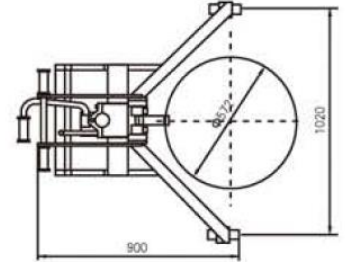
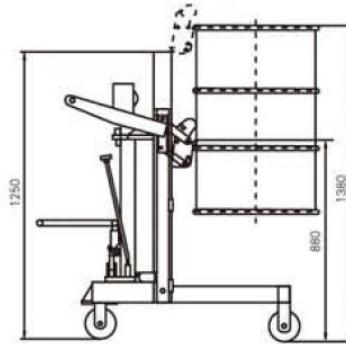




DRUM MOVERS: Swift Drum Loader / Unloader

- ▲ Easily glides over pallet to quickly load or unload 30 or 55-gallon drums, Grabs drums from the middle of a standard pallet with a drum clamp, raises the drums up, and redistributes them throughout the facility.
- ▲ Also removes drums from the corner of containment skids. Highly maneuverable unit features two poly wheel and two poly caster.

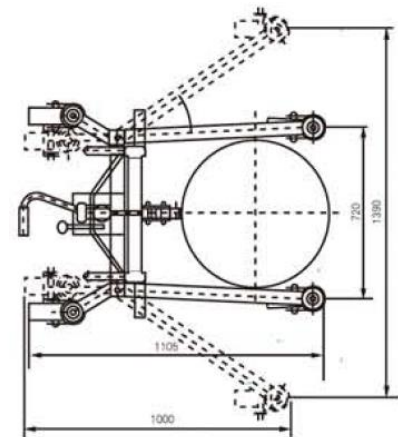
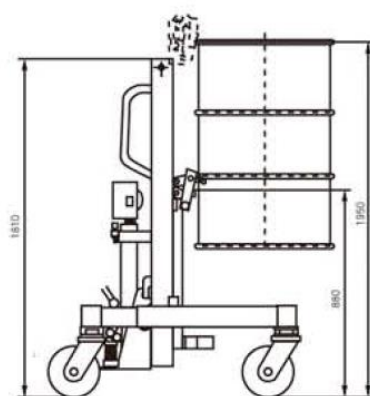


Model	DTF450	
Lifting Capacity	(kg)	450
Lifting Height	(mm)	500
Lifting Per Stroke	(mm)	11.6
Drum Size	572mm (22.5" Diameter), 210Liters (55 gallon)	
Net Weight	(kg)	165

DRUM MOVERS: Ergonomic Drum Handler



- ▲ Ergonomically lifts, transports, and places poly, steel, or fiber drums on or off pallets.
- ▲ A spring-loaded clamp securely holds any rimmed drum.
- ▲ It has swivel steering wheels for easy positioning and precision roller bearing load wheels for maximum stability.
- ▲ Legs adjust for different pallet. Handles 55-, 85-gallon drums.



Model	DT400	
Lifting Capacity	(kg)	400
Lifting Height	(mm)	1070
Lifting Per Stroke	(mm)	11.6
Drum Size	55 gallon, 85gallon	
Net Weight	(kg)	100

Adjustable leg